

### Caratéristiques du thermostat :

- Montage sur mur intérieur
- Plage de température +5/+40°C
- LED allumé lors de la mise en chauffe
- Satisfait aux exigences de sécurité, d'économie et de confort.

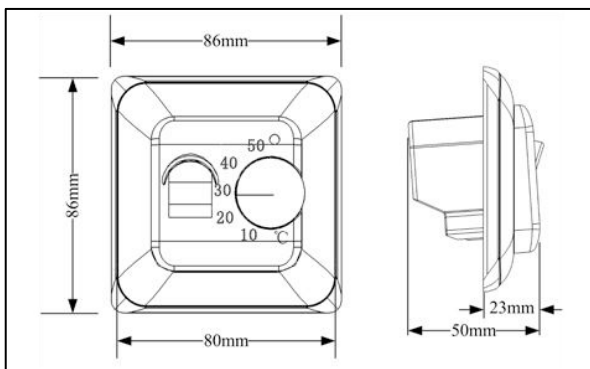
### Tableau de sélection :

Types	Intensité	Methodes de mesure de température	Applications
SK20F	16A	Sonde externe	Câble chauffant et autre élément chauffant

### Caractéristiques :

Alimentation: 220VAC  
 Consommation: 5W  
 Plage de réglage : 5~50°C  
 Limiteur : 25~55°C  
 Mise hors gel : 5°C  
 Ecart de température:±0.5K  
 Plage de réglage :-5~50°C  
 Indice de protection : IP20  
 Sonde externe : longueur de câble de 3m

### Spécifications :



### Mounting of Outer Sensor :

Veillez brancher la sonde libre sur le terminal approprié comme indiqué sur le diagramme. Placez le câble de la sonde entre les trames chauffantes au sol ou les tubes, et la sonde en contact avec le sol chauffé. supply (e.g. power supply for heating cable) for avoiding the interference of voltage signal to the heating thermostat. If there is shielded cable in the extended cable, shielded cable should not be connected to ground but to terminal 7. It is recommended that the extended cable and casing should not be shared with others.

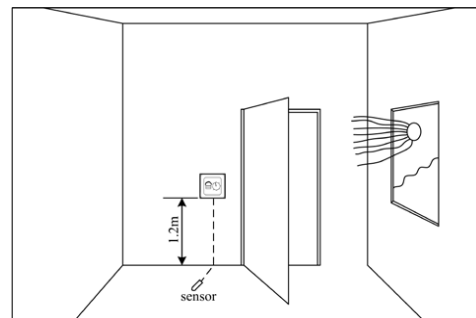
### Outer sensor and its resistance:

Temperature(°C)	Resistance(Ω)
5	22070
10	17960
20	12091
30	8312
40	5827
50	4160

### Mounting Location Recommended :

The heating thermostat should be mounted on the wall with air flowing freely around.

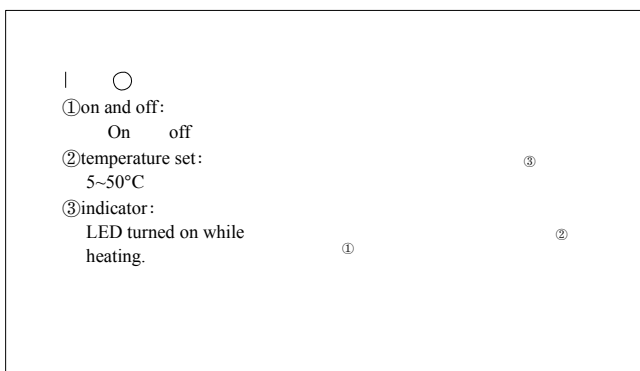
**Warning: The mounting location should not be influenced by other heat source (e.g. sunlight), airflow through doors& windows or temperature of outer wall**



### Temperature Set :

The factory default of temperature control range is +5/+40°C. For convenient adjusting the LED will be turned on while heating. For the first use, please set the thermostat at the highest temperature, when the room or floor temperature approaches the expected; please turn the knob back until the LED is turned off. One or two days after, user could do fine turning if necessary.

### Handling Instruction :



**Temperature Calibrating:**

When indoor temperature reaches steady state, user could calibrate the heating thermostat to make the temperature reading be the same as the real room temperature.

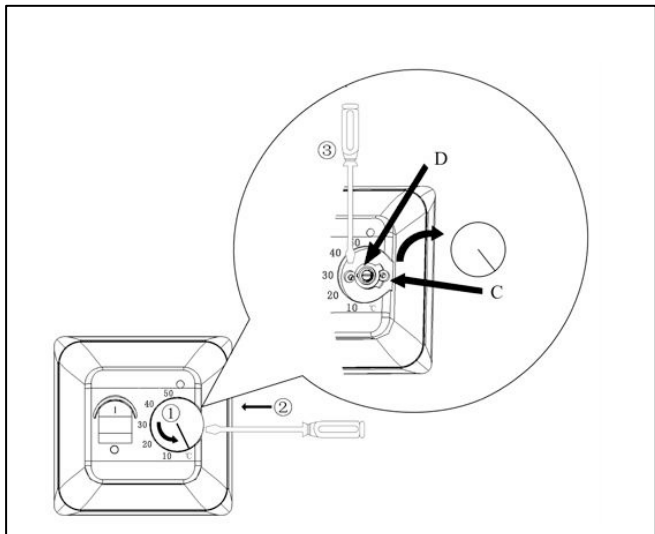
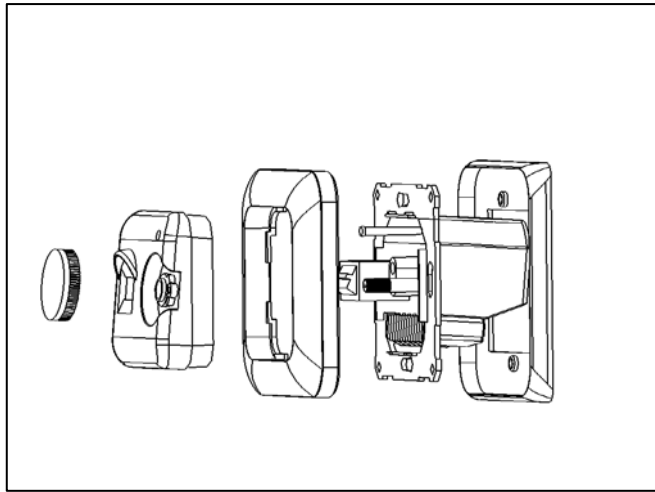
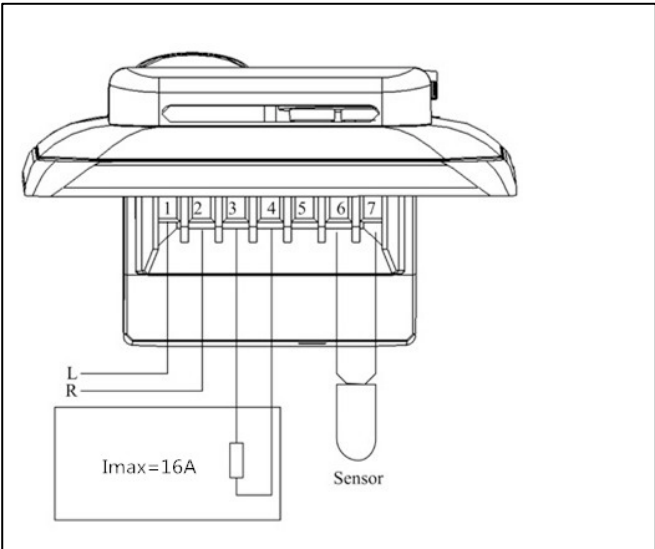
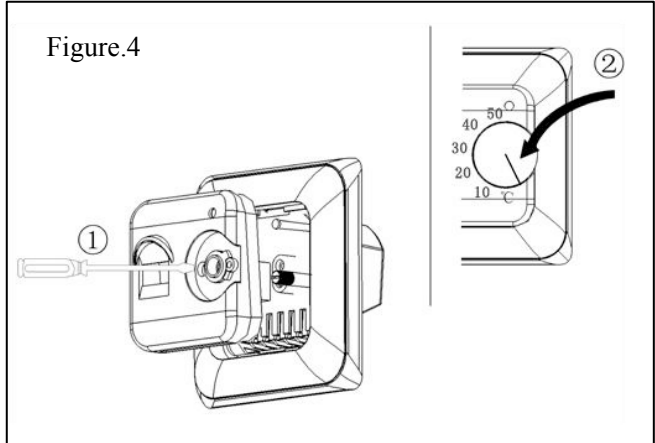
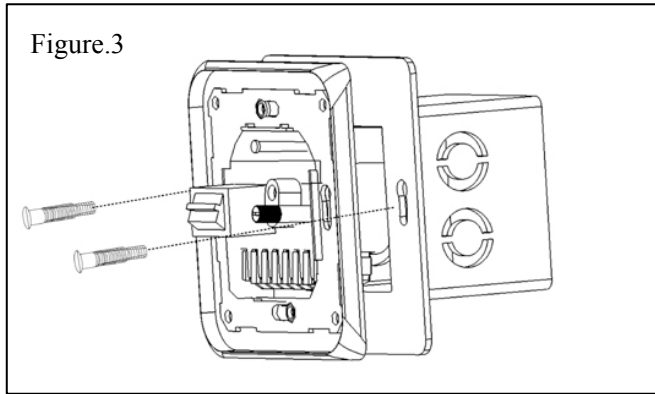
Calibrate Operation Procedures:

- a) Measure the temperature with the room meter;
- b) Remove the control knob;
- c) Rotate the adjuster bard (shown in Fig.2) until the LED is turned off;
- d) Install the control knob and make the temperature reading the same as the real temperature.

**Warning: Please do not rotate the control knob since the Factory default has been calibrated!**

**Restriction of Control Knob Adjusting Range:**

The lock mechanism under the control knob can be used to restrict the adjusting temperature range. User can lock the adjusting range (e.g. 20-25°C) as long as loosening the screw C (shown in Fig.2). The top adjusting ring can restrict the maximal temperature, and the under one can restrict the minimal temperature.



**Component Name**

Knob      Panel      Inner frame      Base      Outer frame

Figure 2